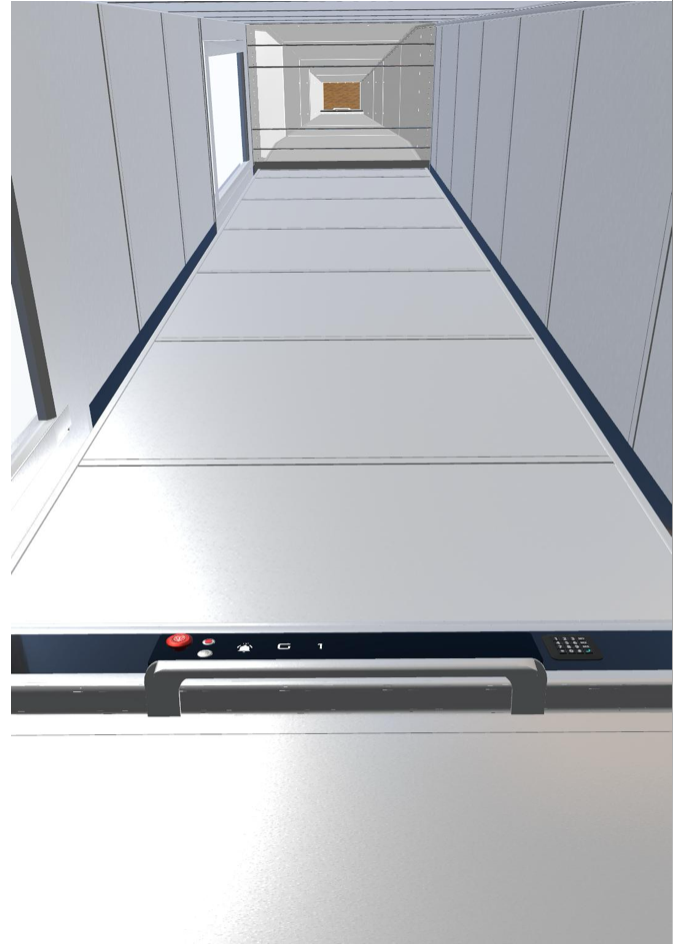


With outdoor Roof

Stock 20 (PO-2024-273)

Thank you for your interest in Cibes Lift Group products. It is our hope that this graphical catalog showcasing your customized Voyager V80 assists you in your decision process. Due to limitations of technology and this being a new system, we note that computerized renderings have limitations for exact color, texture and dimensional tolerances and that slight deviations may be present. The renderings do not include all the details of our lift and are for reference only. Refer to our experienced staff for final details. We will constantly update this system to improve and appreciate your inquiry.

Cibes Lift Group



MODEL: ELEGANCE

PATTERN: BLACK

PLATFORM COLOR: ORGANIC SIGNAL WHITE

SHAFT COLOR: ORGANIC SIGNAL WHITE

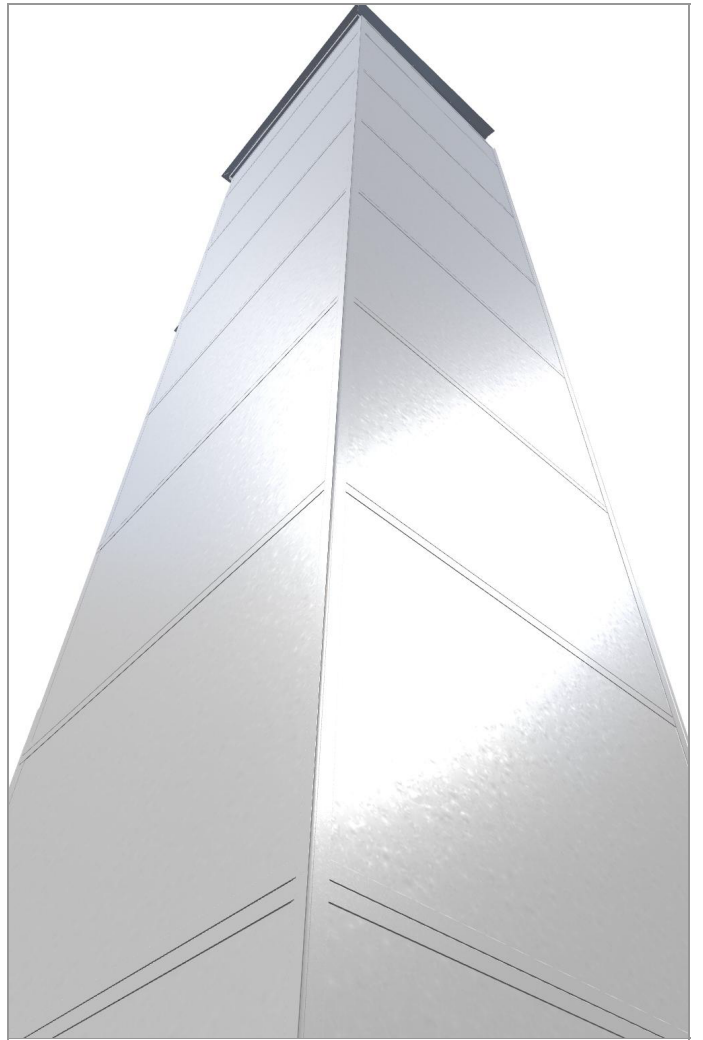
NUMBER OF STOPS: 2

PLATFORM SIZE: L - 1000 X 1467 MM

SHAFT RENDERS



SHAFT RENDERS

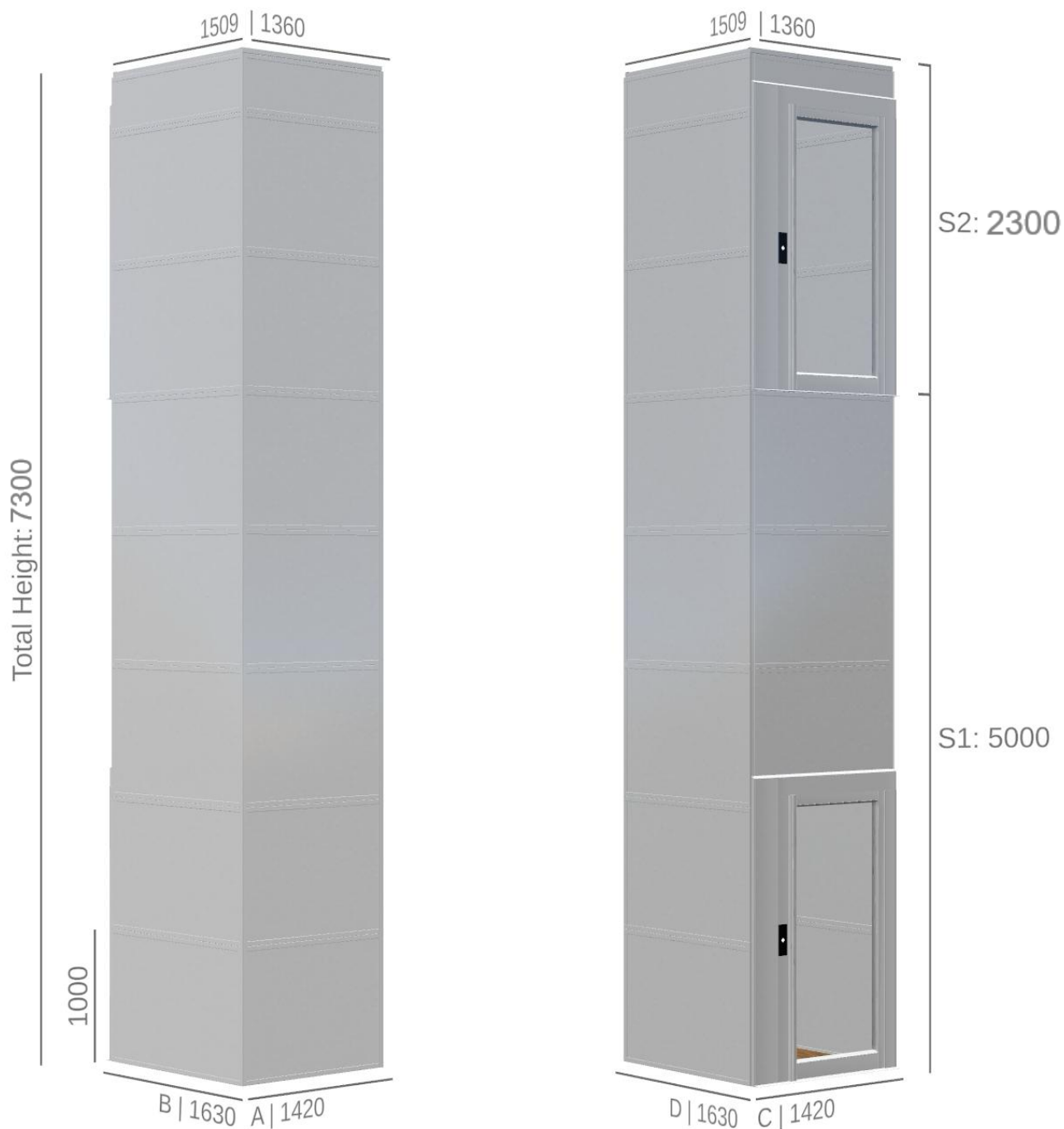


DOOR RENDERS



PLATFORM RENDERS

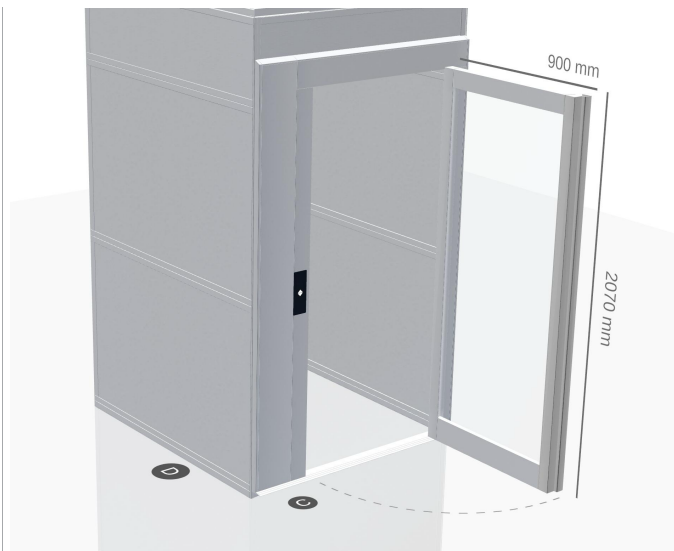




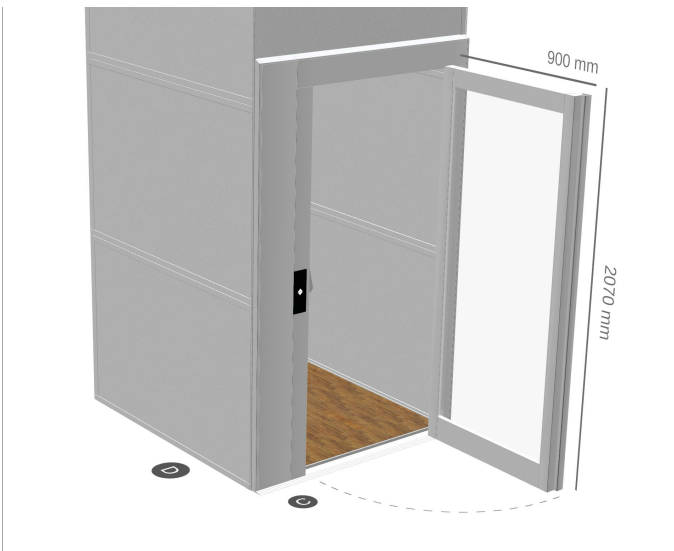
All shaft measurements are in Millimeters (mm)

APPROVED & READ

S2



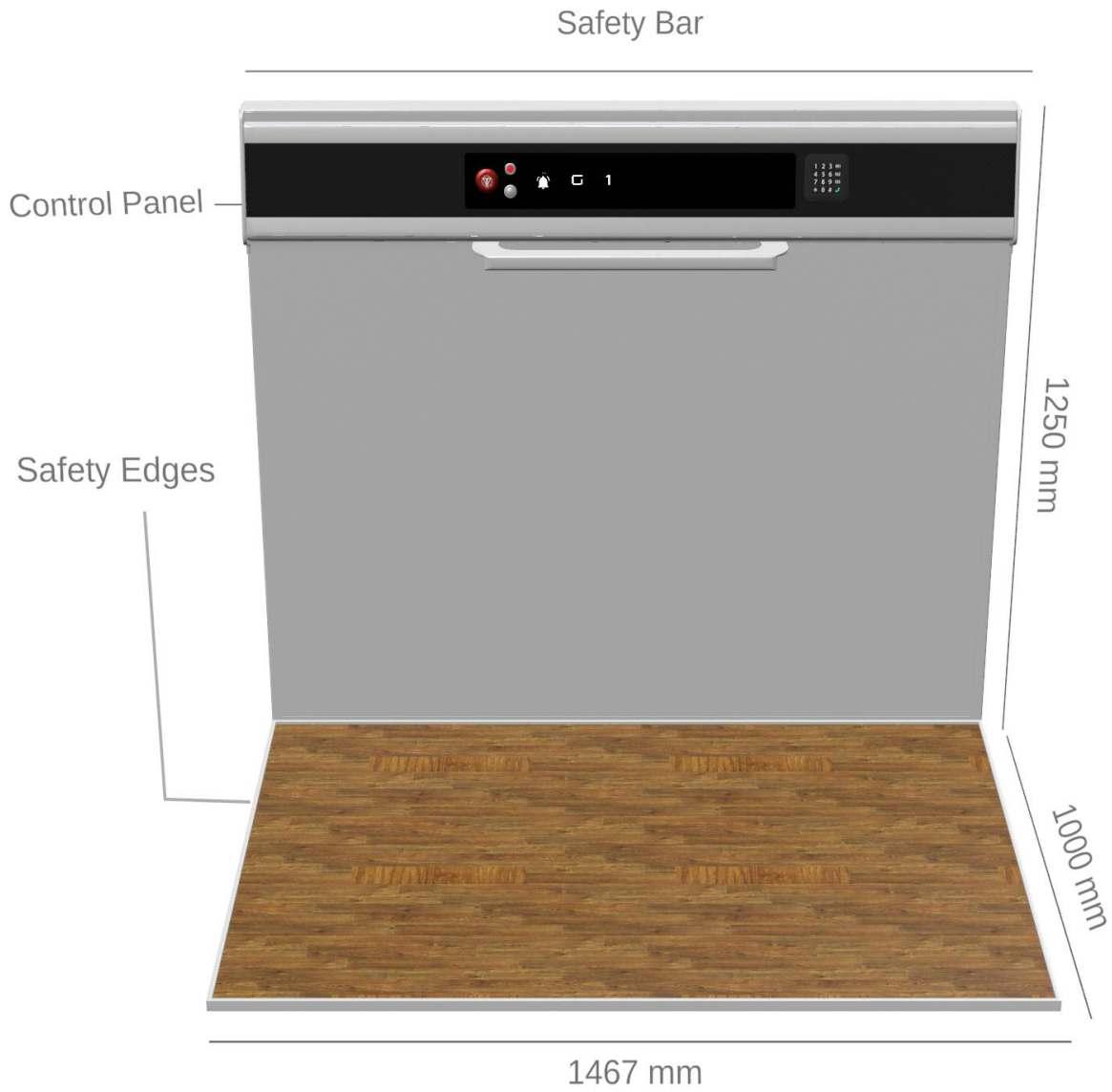
S1



Door 3	-	Door 6	-
Door 2	C	Door 5	-
Door 1	C	Door 4	-



APPROVED & READ

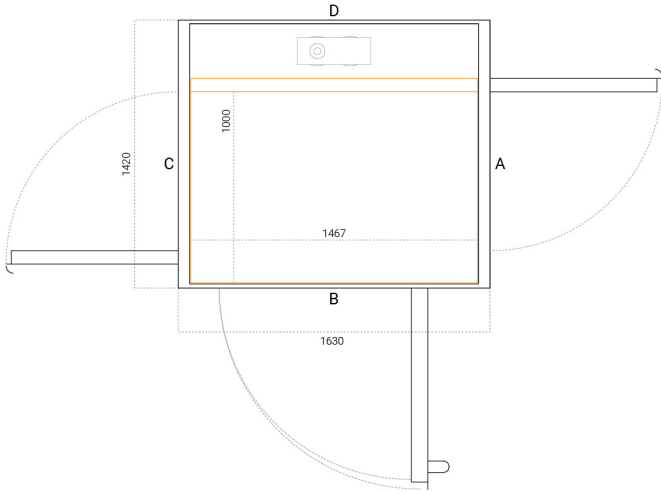


Platform Details

Pattern	Black
Floor	Pearwood
Control Panel	Touchscreen w/o FLI
Handrail	Compact Handrail
Phone	Available
Control Box	Not Applicable
Front Cover	Not Applicable

APPROVED & READ

TECHNICAL DETAILS & OTHER COMMENTS



SIZE DETAILS	A/C	B/D
Platform Size:	1000	1467
Finished Size:	1360	1509
Cutout Size:	1420	1630
Door Opening w.	900	1050

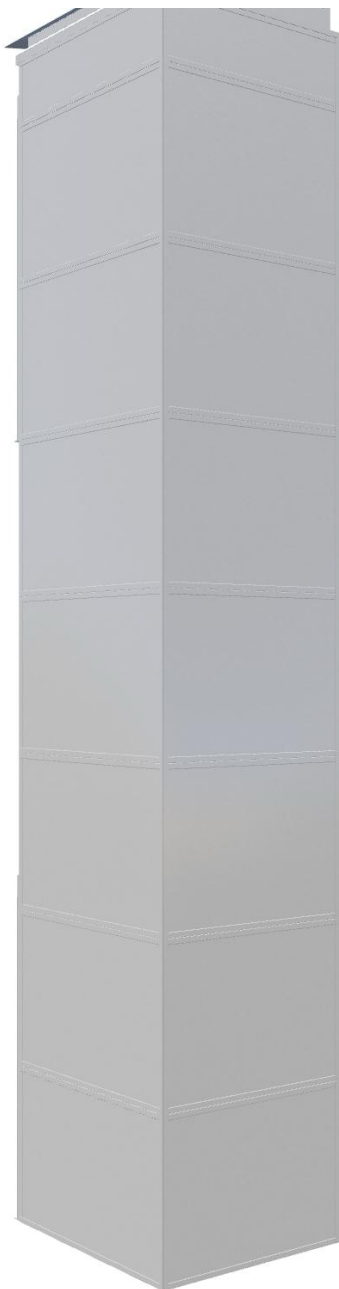
PANEL DETAILS	
Panels Count:	7
Custom Panels:	2

ADDITIONAL FEATURES

Eco Silent

COMMENTS

A SIDE MODIFICATIONS	
B SIDE MODIFICATIONS	
C SIDE MODIFICATIONS	
D SIDE MODIFICATIONS	
E SIDE MODIFICATIONS	
SPECIAL NOTES	



CIBES LIFT

DETAILED CONFIGURATION

PROPOSAL FOR Stock 20 (PO-2024-273)

#FQ30135599134

MODEL: ELEGANCE

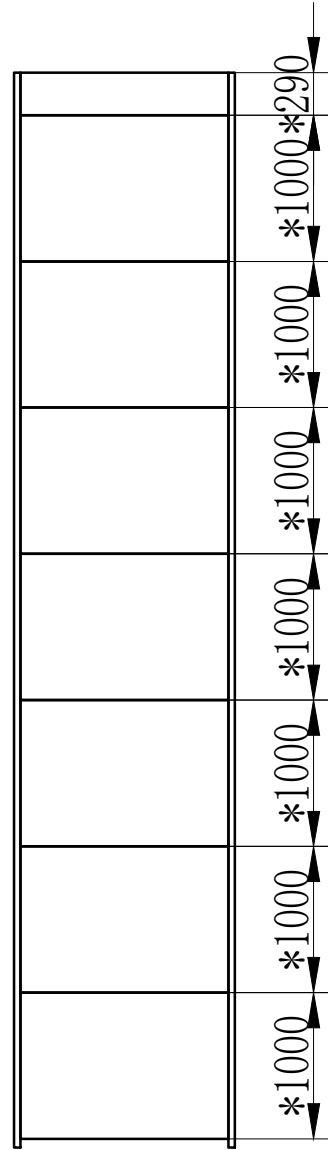
PATTERN: BLACK

12-11-2024

Cibēs

Cutout dimension see sheet 2,
forces see sheet 3

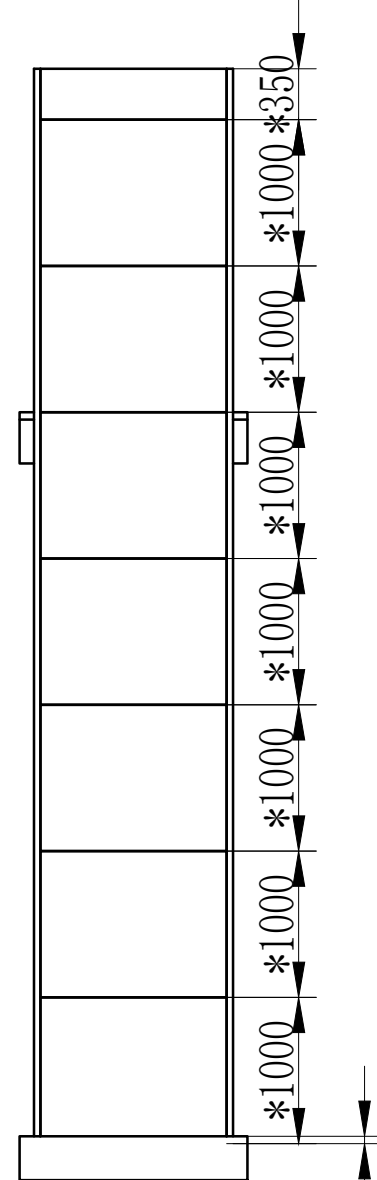
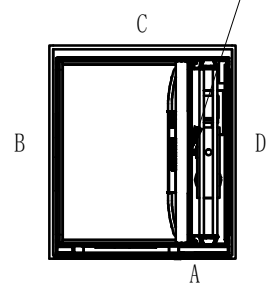
*To be adapted on site
*Customized panel



E

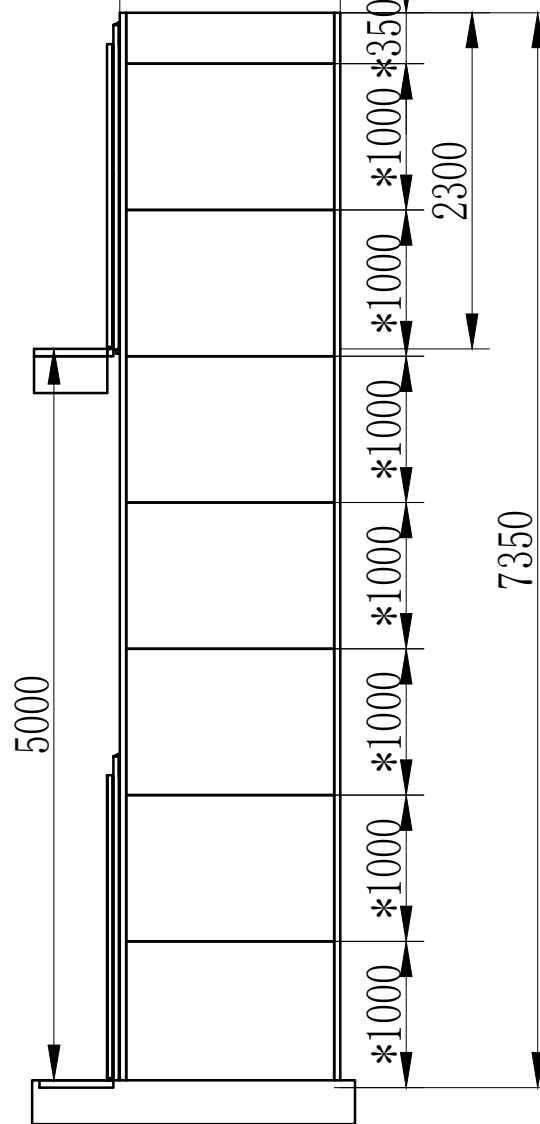
Positioning of machinery:

E=Shield wall



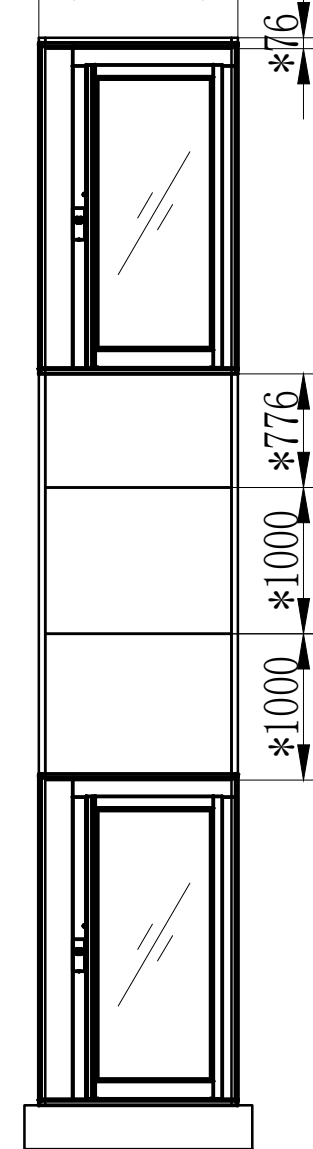
A

1509 Lift shaft dimension



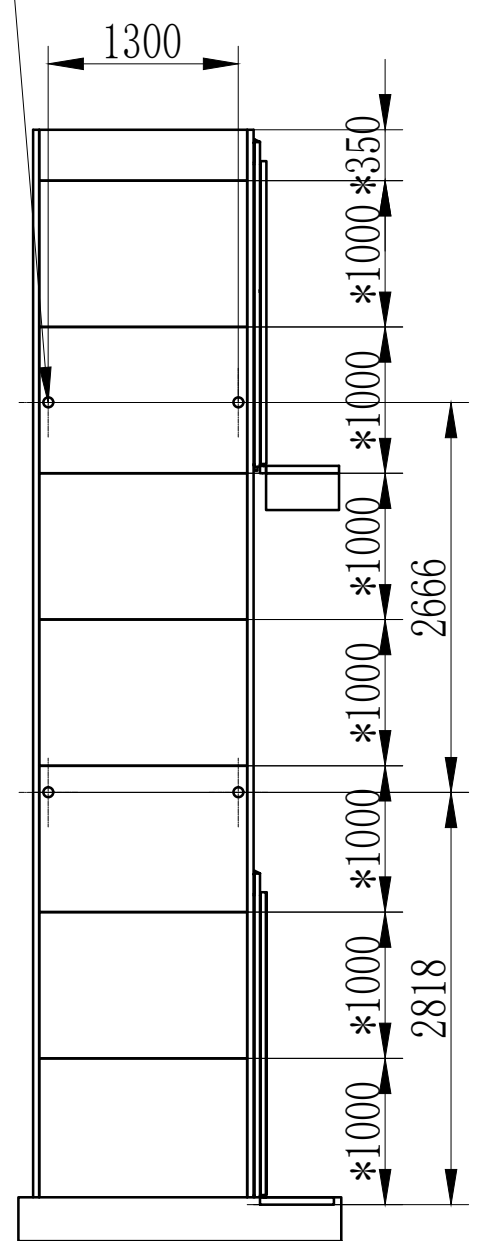
B

1360 Lift shaft dimension



C

Fixing points, 250 N



D

With outdoor Roof

Options
Freq. 1x220V 50-60Hz 16A
Capacity:400kg

Approved by
builder:

European view placement:



EOS ID
L00015569

Tender no

Order no

ISO 2768-1 m

Principal drawing

Voyager-1000*1467

MarinaStock20 (PO-2024-273)_Qatar

Date
2024-12-11

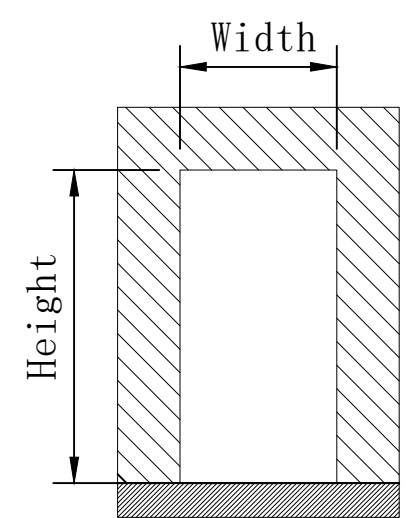
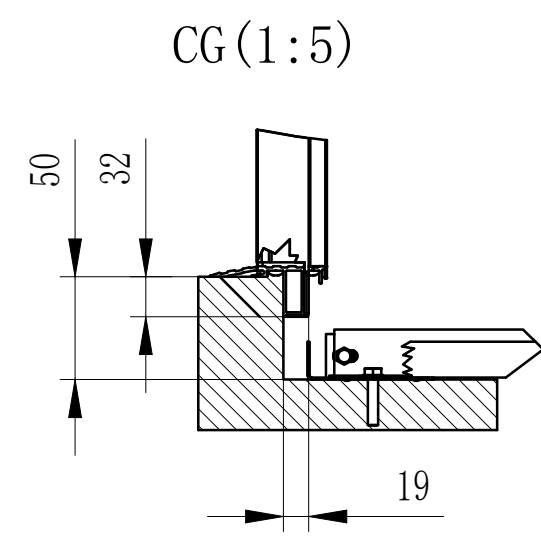
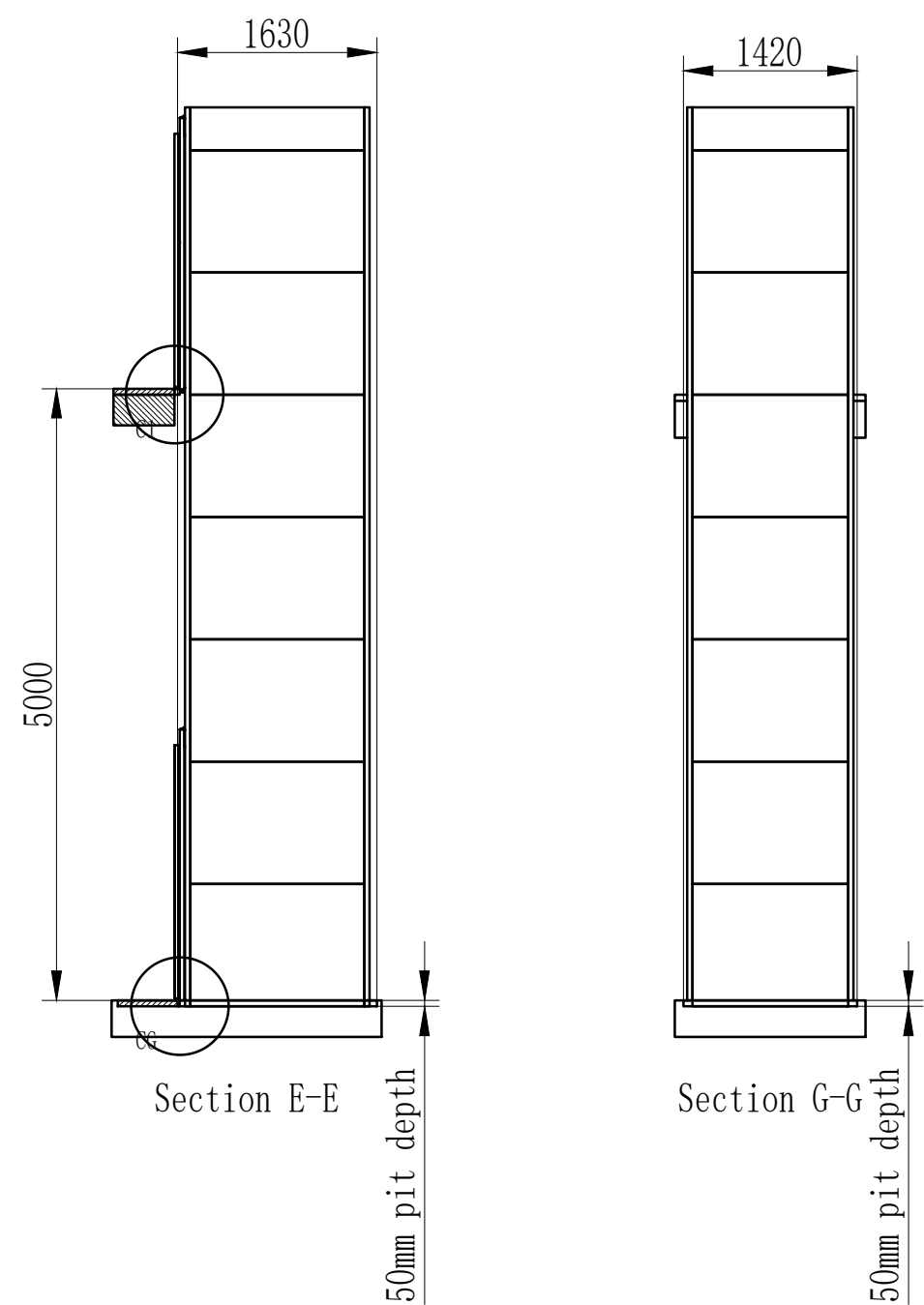
sheet
1 of 6

Scale:
A3, 1:100

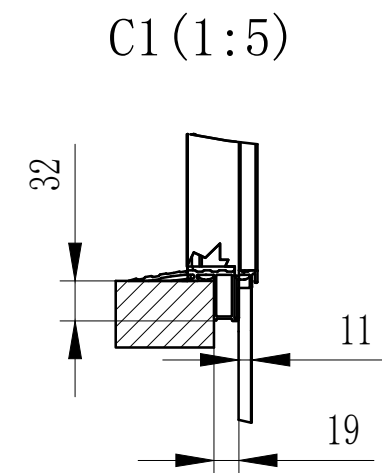
Shaft cutout sizes

Lift unit installed within a shaft by others

Door front cutout sizes		
Landing	Width	Height
CG	1420	2250
C1	1420	2250



Door cut out



50 mm pit depth + 10 mm, - 0 mm. Bottom surface must be flat



Incoming power supply is connected at landing:
 For wiring and power supply, refer to the unit's wiring diagrams.
 Ceiling shaft lighting, is independent from the power cable and pulled back into the trench's upper part. Shaft lighting > 50 lux.
NOTE! An effective emergency telephone is required for approved inspection.
 The purchaser is responsible for an active phone line being present prior to the lift installation.
 The incoming telephone line is connected to CiLow (TELE). Refer to wiring diagram.
 The emergency signal device is powered by the lift's own battery in the event of a power failure.
 The lift must be equipped with a two-way communication, either via the standard telephone or via the lift telephone, which automatically calls the alarm control center or the like.
NOTE! A lift featuring a frequency converter cannot be directly connected to a RCD.

Approved by builder:

 European view placement



EOS ID L00015569	Principal drawing	
Tender no	Voyager-1000*1467	
Order no	MarinaStock20 (PO-2024-273)_Qatar	
ISO 2768-1 m	Date 2024-12-11	sheet 2 of 6
		Scale: A3, 1:100

6 5 4 3 2 1

D

D

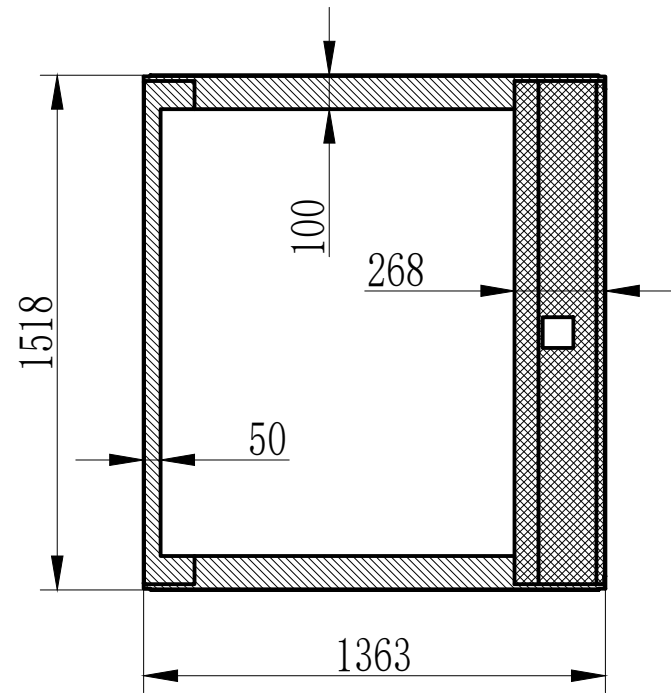
Loads sustained by shaft and platform
and fixing points bottom frame



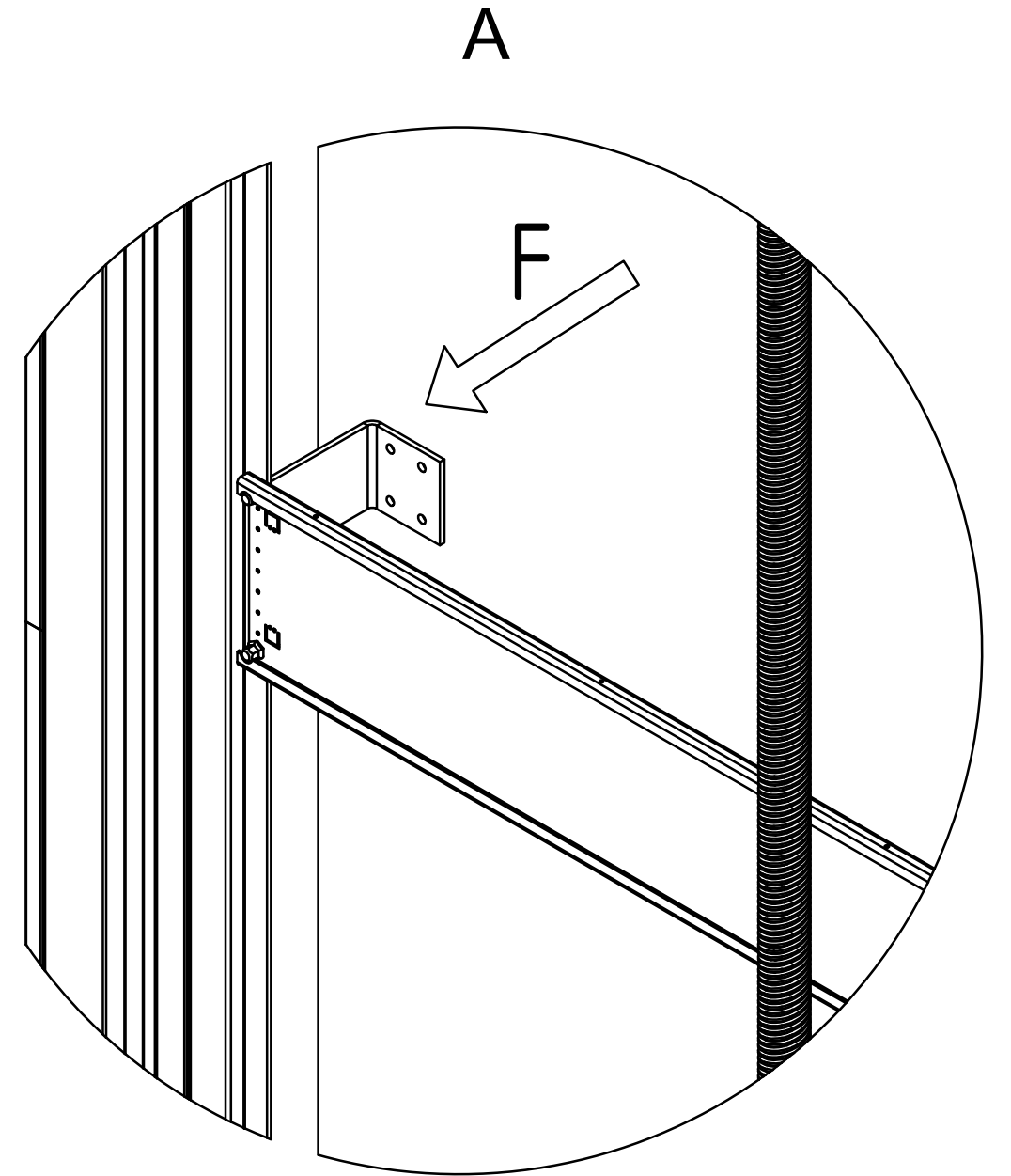
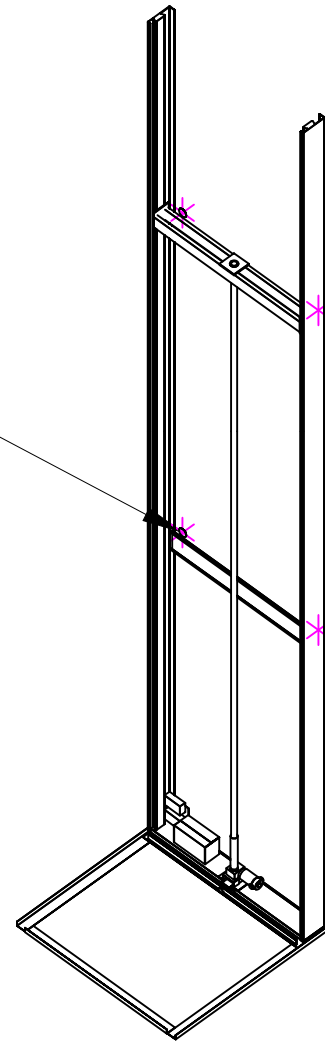
L section force:
5.37kN



Mast force:10.29kN



Fixing points, 250 N
See detail A



C

C

B

B

A

A

6 5 4 3 2 1

Approved by
builder:

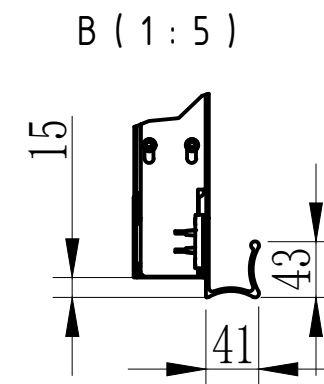
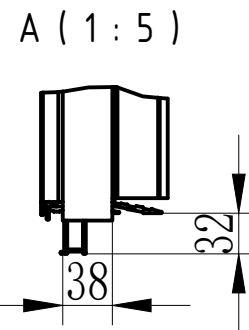
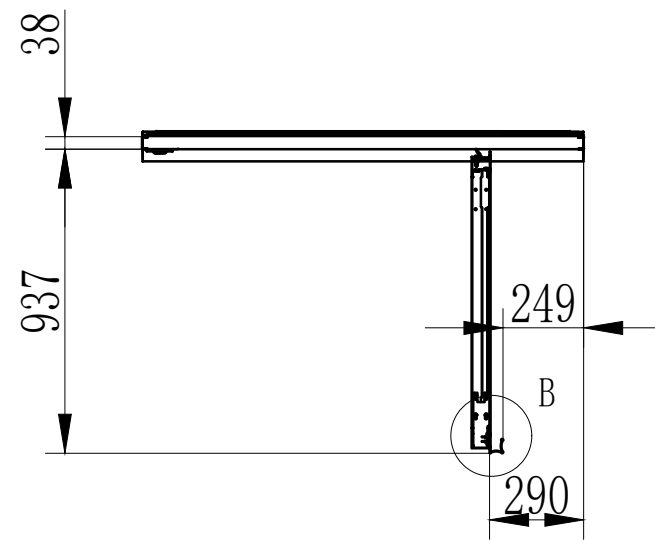
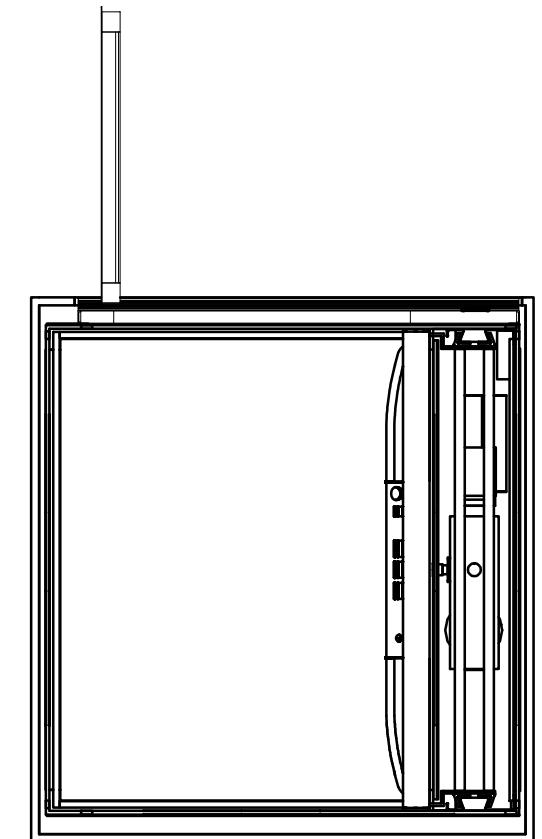
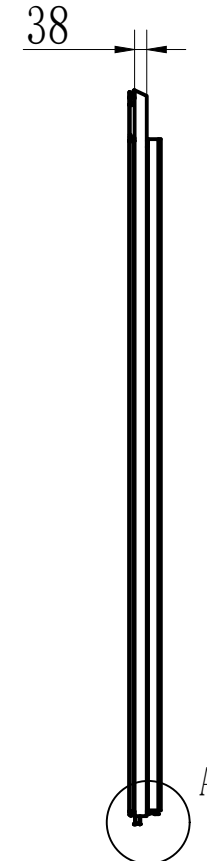
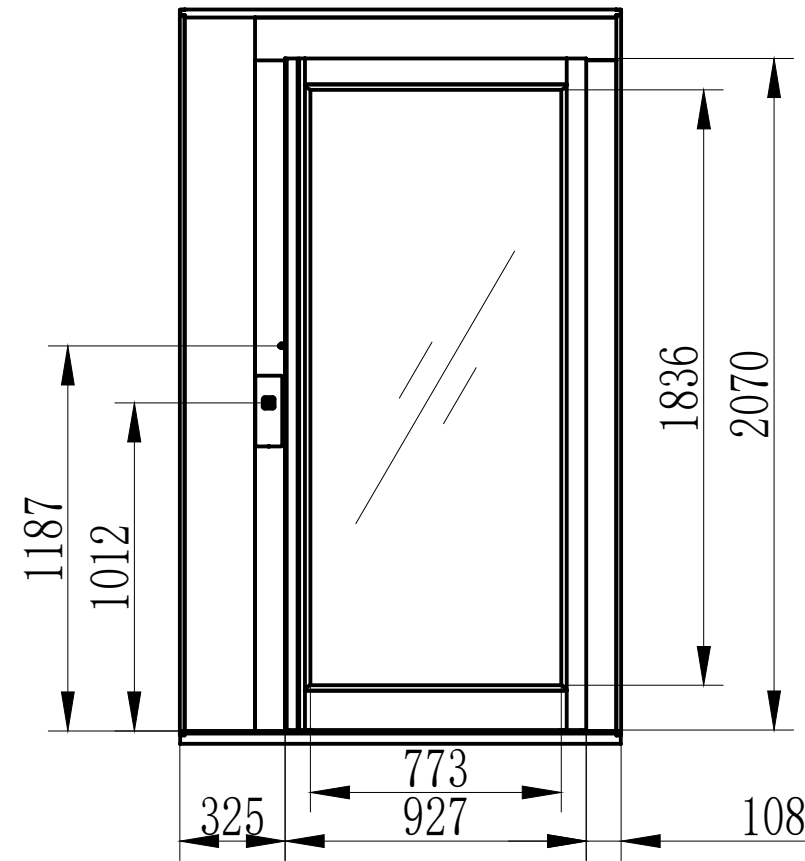
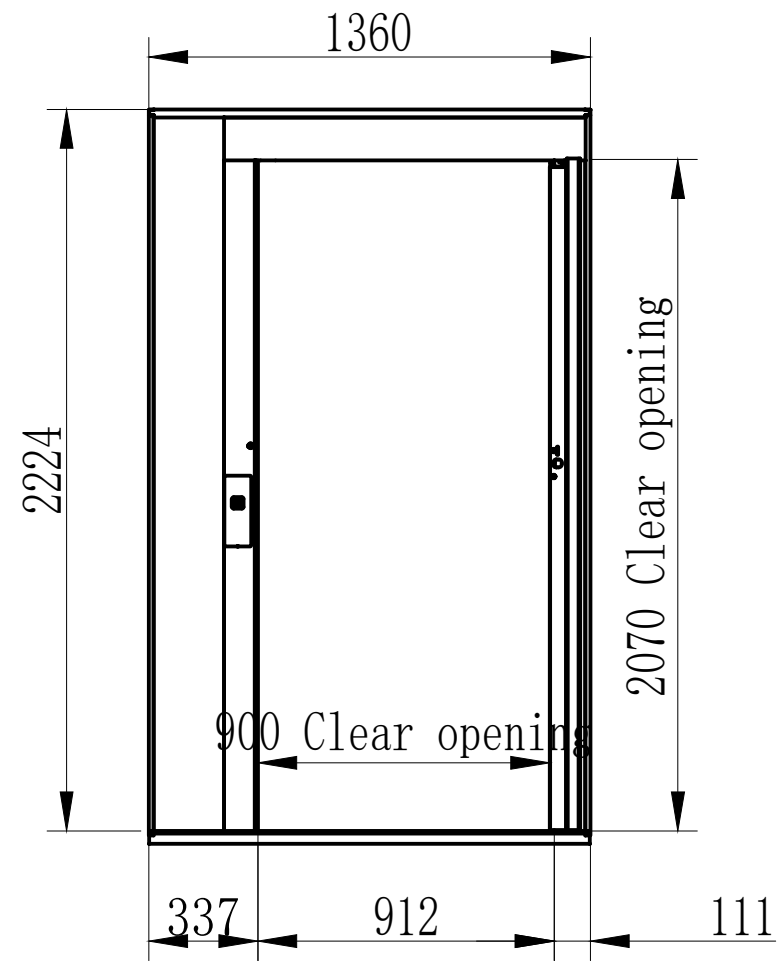


EOS ID L00015569	Principal drawing		
Tender no	Voyager-1000*1467		
Order no	MarinaStock20 (PO-2024-273)_Qatar		

European view placement:

ISO 2768-1 m	Date 2024-12-11	sheet 3 of 6	Scale: A3, 1:100
--------------	--------------------	-----------------	---------------------

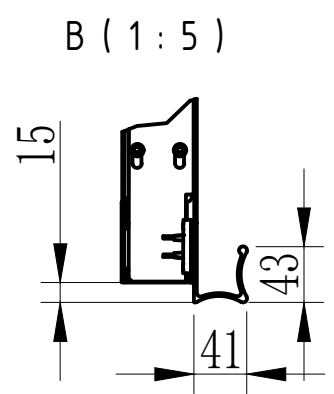
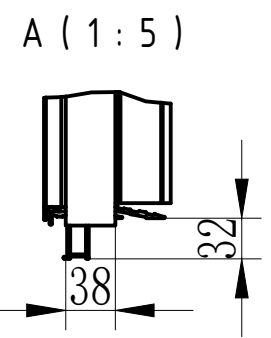
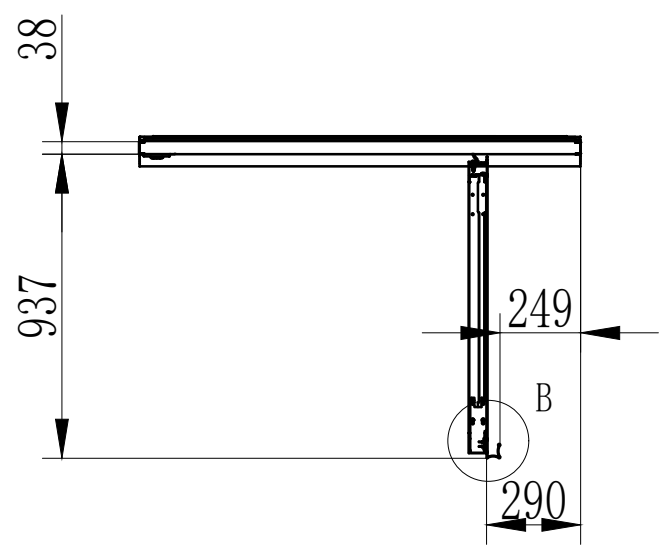
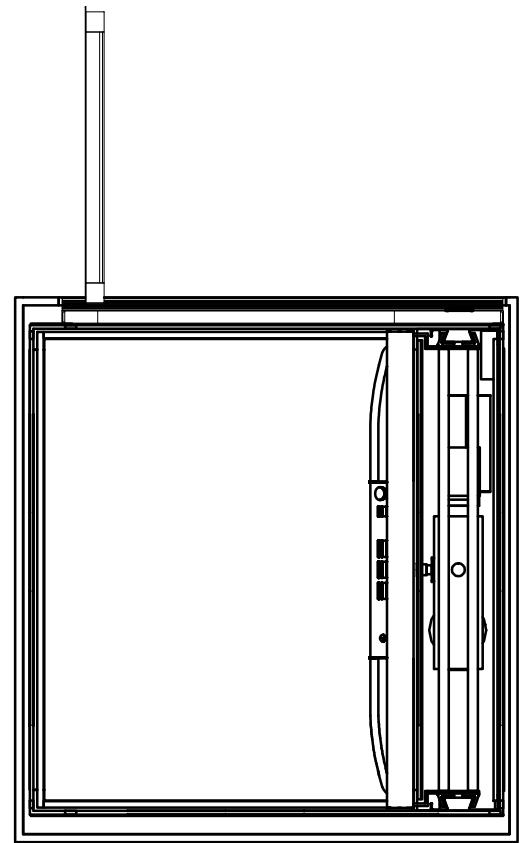
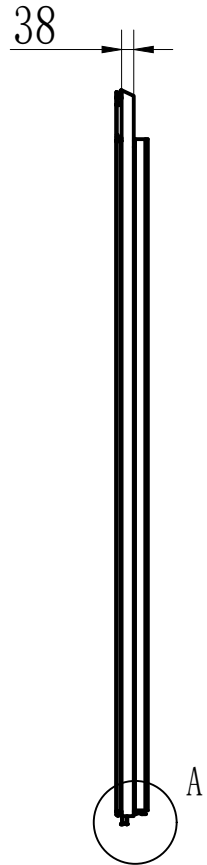
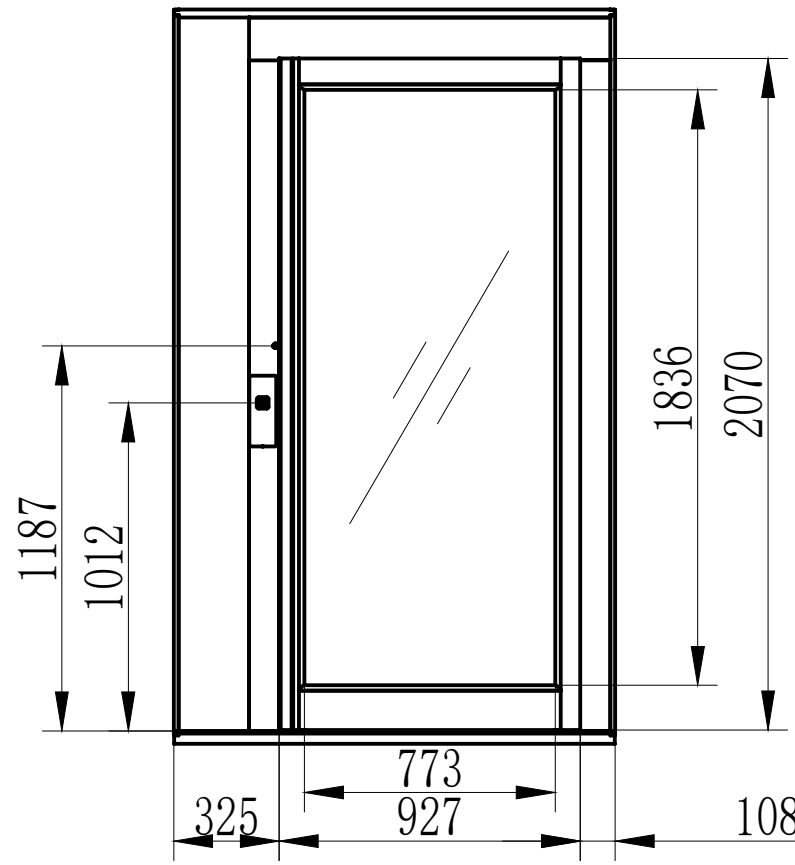
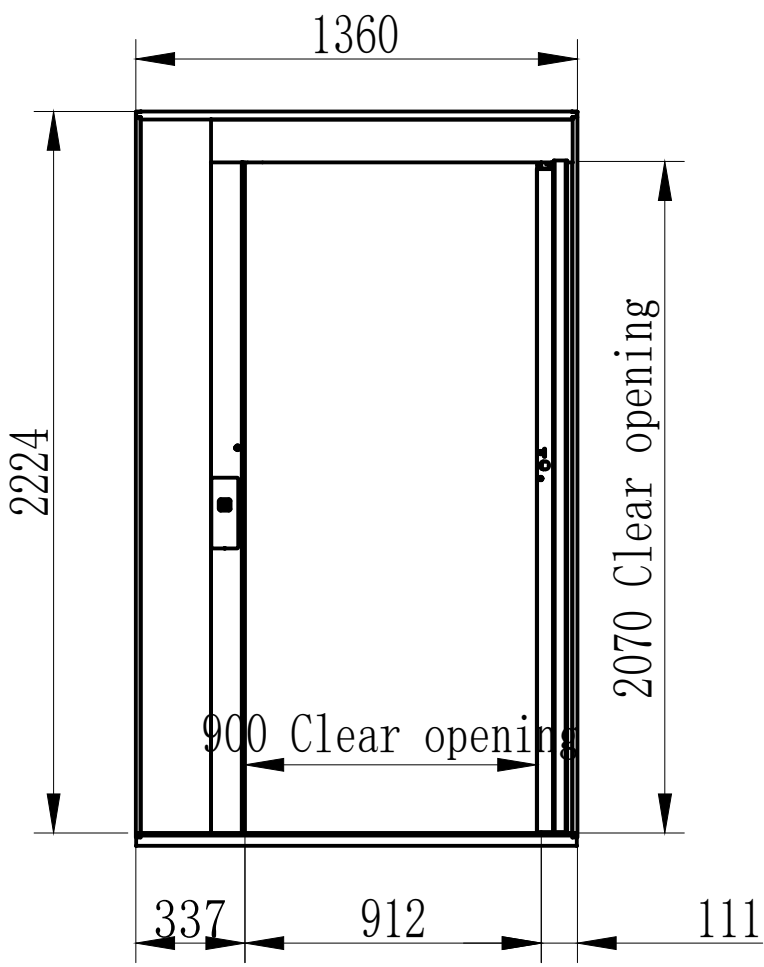
Landing GC and door front information



Landing	Door type
GC	AL5
1C	AL5

Approved by builder: _____		EOS ID L00015569		Principal drawing	
		Tender no		Voyager-1000*1467	
European view placement		Order no		MarinaStock20 (PO-2024-273)_Qatar	
ISO 2768-1 m		Date 2024-12-11	sheet 4 of 6	Scale: A3, 1:100	

Landing 1C and door front information



Landing	Door type
GC	AL5
1C	AL5

Approved by
builder:

European view placement



EOS ID L00015569		Principal drawing	
Tender no		Voyager-1000*1467	
Order no		MarinaStock20 (PO-2024-273)_Qatar	
ISO 2768-1 m	Date 2024-12-11	sheet 5 of 6	Scale: A3, 1:100

6

5

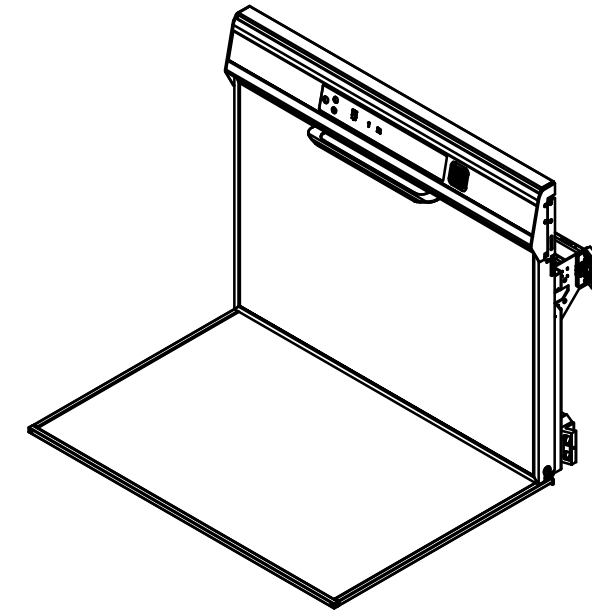
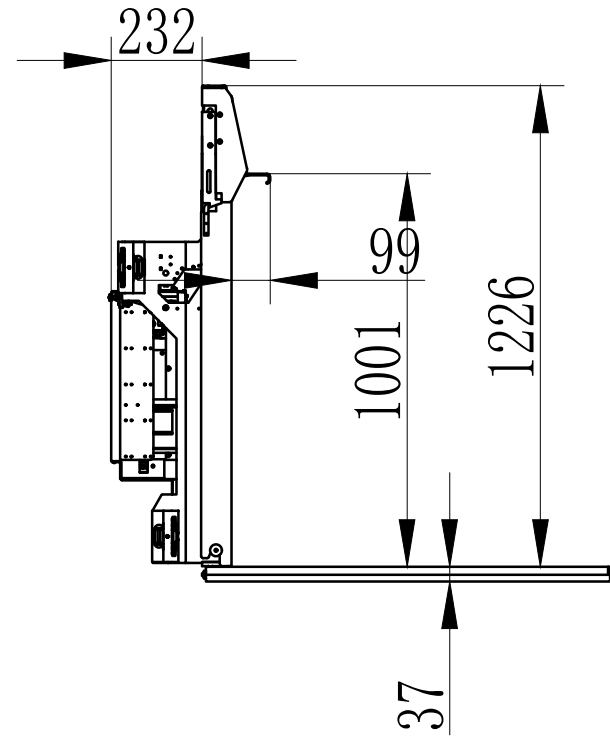
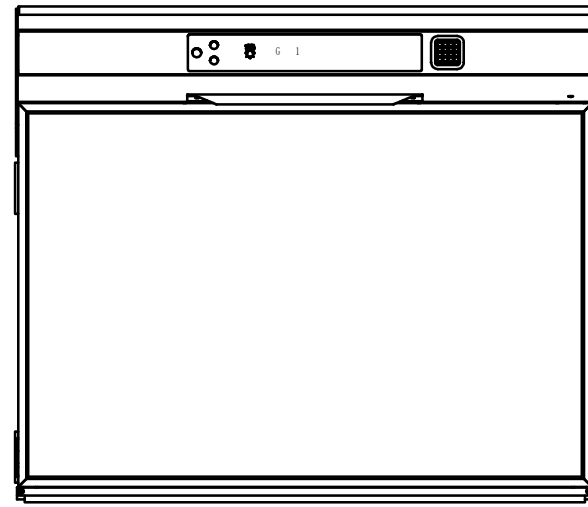
4

3

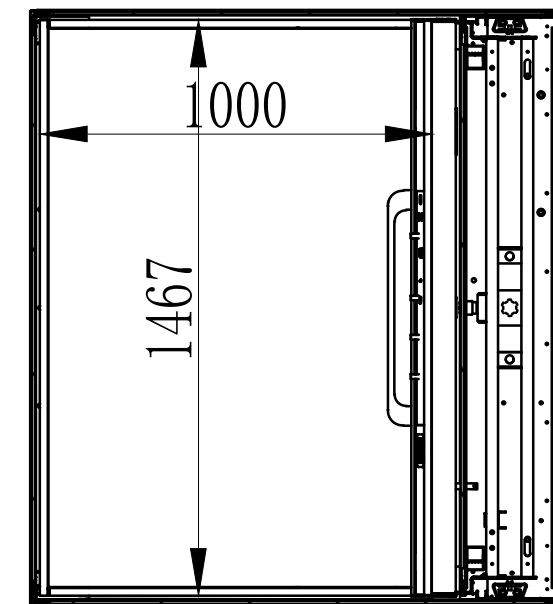
2

1

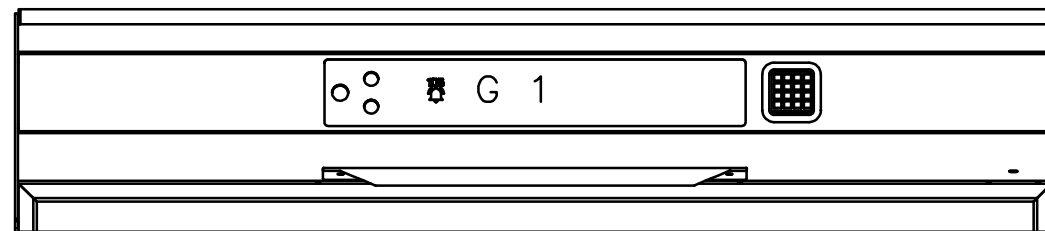
Platform layout



Platform dimensions



Button layout



Approved by
builder:

European view placement



EOS ID
L00015569

Tender no

Order no

ISO 2768-1 m

Principal drawing

Voyager-1000*1467

MarinaStock20 (PO-
2024-273)_Qatar

Date
2024-12-11

sheet
6 of 6

Scale:
A3, 1:100

6

5

4

3

2

1

D

C

B

A

D

C

B

A