

PROPOSAL FOR PO-2025-04
BY Sales Representative



Phone Phone Number

E-mail Email Address

Website Website

Address Qatar

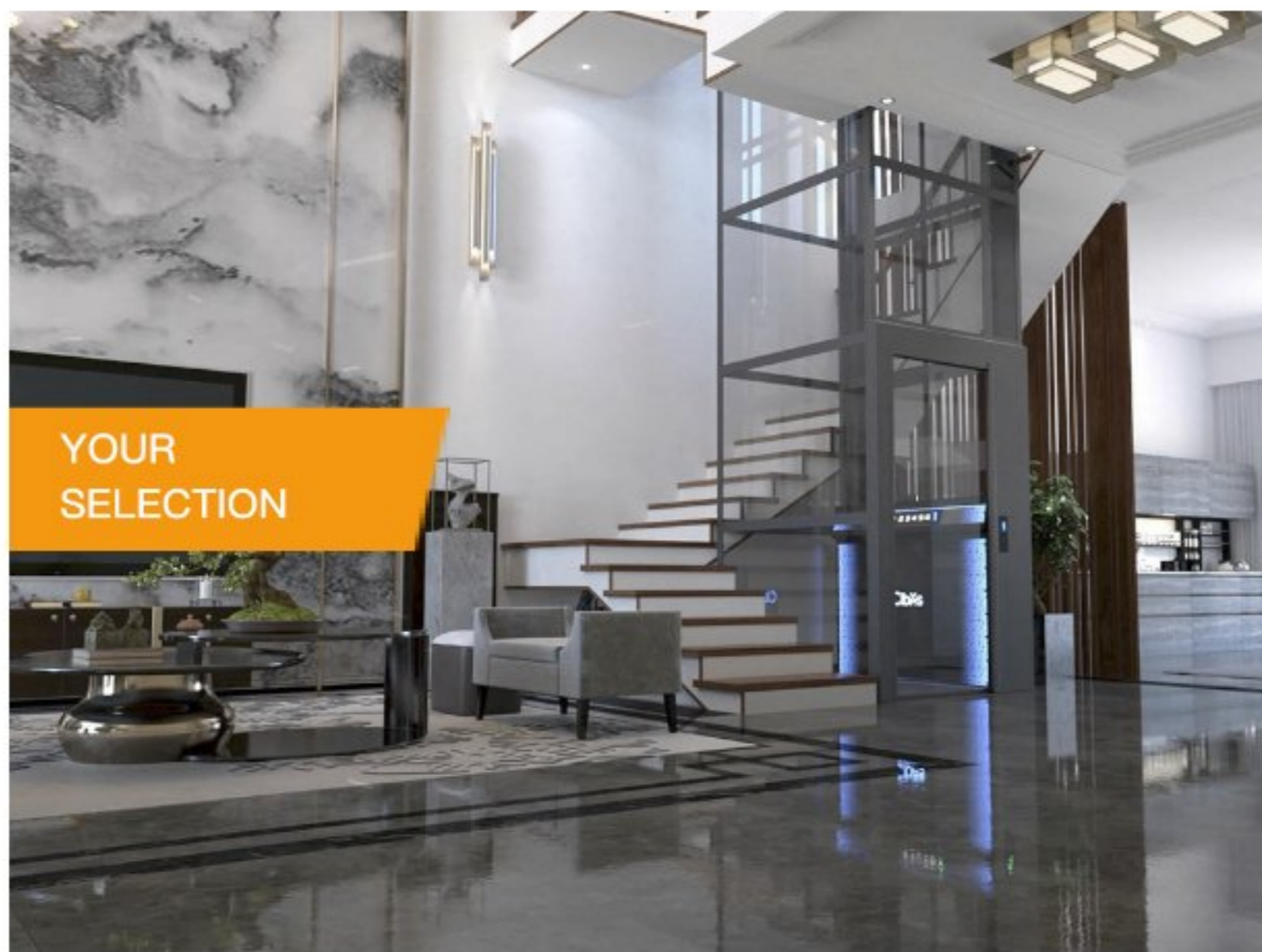


VOYAGER PRODUCT LINES

#CIB111A108

V70 Cabin Home Lift

The V70 is a light-duty cabin model, ideal for environments where the lift is discreet and recessed within its own space. Space saving, safe and packed with unique and luxurious features such as light curtains or bifolding doors, it is the perfect home lift to match your style and maximize your space.

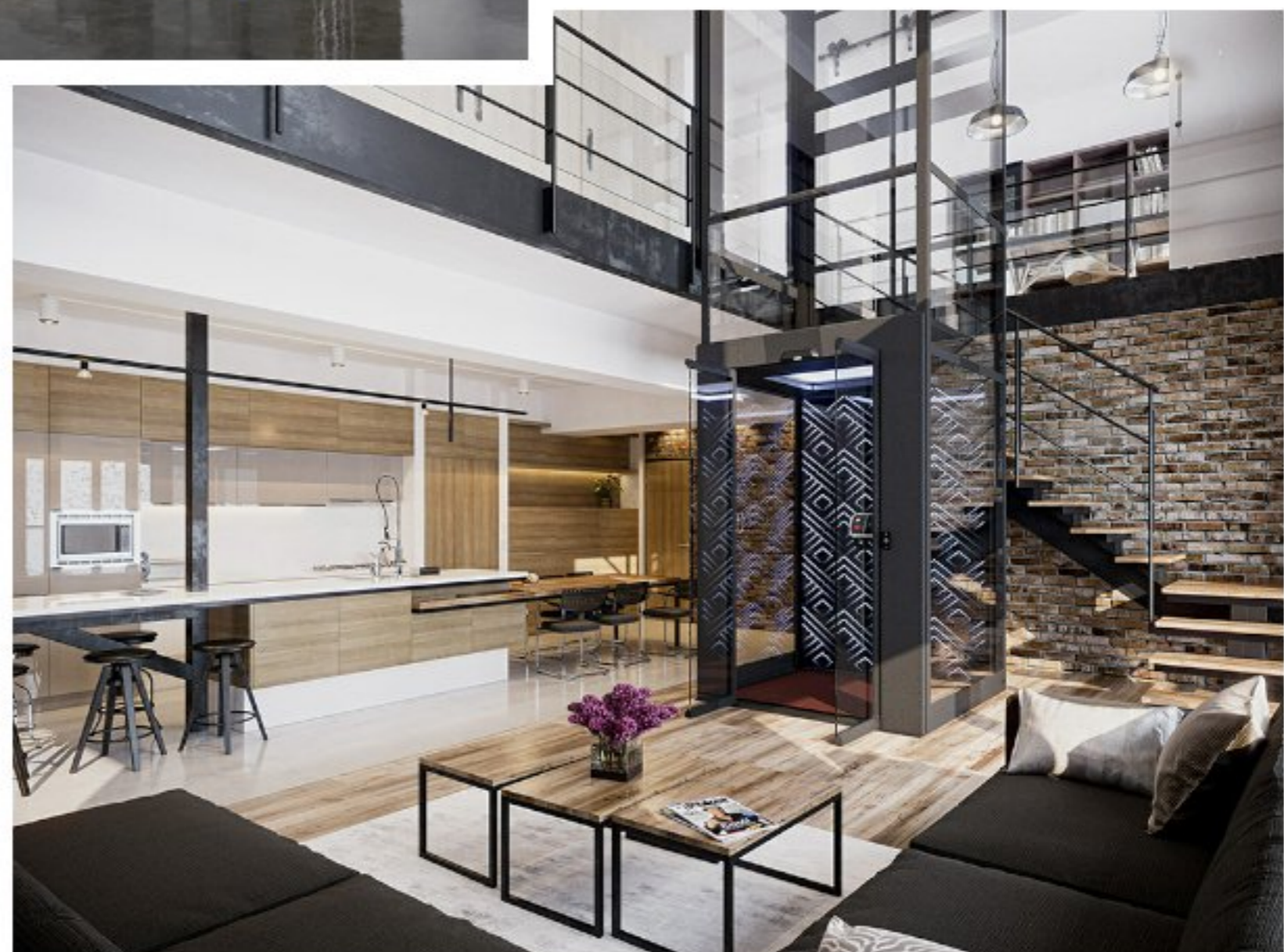


V80 Platform Home Lift

The V80 is our platform lift with an eco-silent drive unit, gorgeous 360 degree glass shaft and 6 different version to fit your beautiful home. Classic, chic and everything you need to take you all the way to the top.

V90 Panoramic Cabin Home Lift

The V90 is the ultimate riding experience: enclosed within panoramic glass, our ultra space maximizing cabin provides a smooth and swift trip, complete with an unobstructed view of your home.



THREE DESIGN TIERS TO CHOOSE FROM

#CIB111A108

ELEGANCE

Snow is Sweden's most beautiful color.

Minimalism is rooted in our Swedish culture, and is infused in the Elegance. Its pure and simple design is beloved in all of Scandinavia. Perfect for wide and airy homes.



AURORA

Home is the reflection of one's uniqueness.

Aurora is our best-selling tier due to its range of colors and premium car finishes, ideal for matching your lift to your home's interior.

GALAXY

Stars shine the brightest in the North.

Galaxy is our top-of-the-line tier for truly luxurious lifts, with Italian leather flooring and cutting-edge lighting that flows smooth as silk – more than a lift, a centerpiece.





PO-2025-044

MODEL
VOYAGER V80

TIER
GALAXY

INTERIOR FINISH
NEBULA

POWDERCOAT FINISH
JANUARY 4

DOOR TYPE
SALOON DOOR

FINISHED SIZE
1500mm X 1400mm

STOPS
3 STOPS

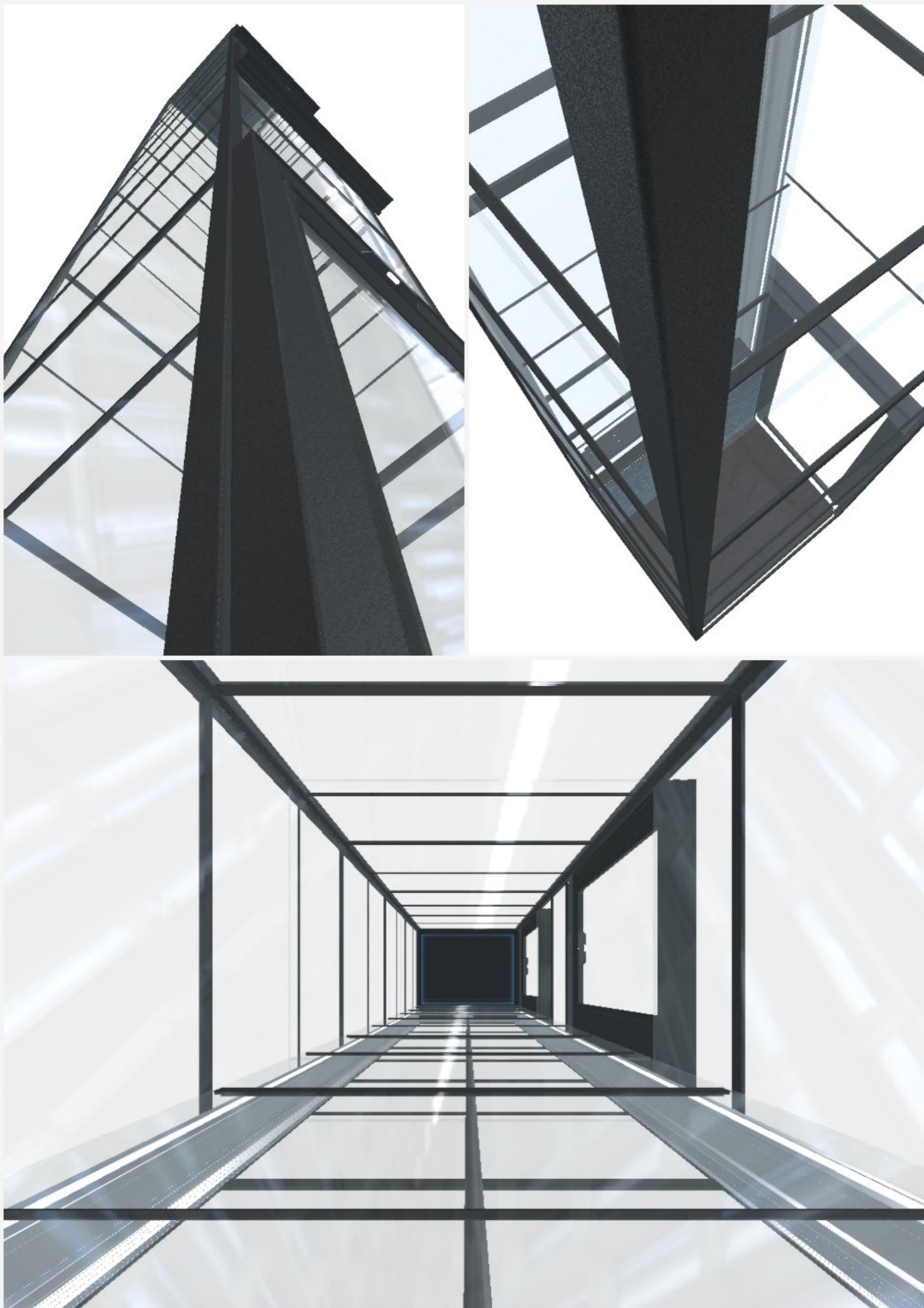
Flooring



COSMOS
Forbo 3725

SHAFT IMAGES

#CIB111A108



DOOR VIEW

#CIB111A108

P5



INTERIOR VIEW

#CIB111A108

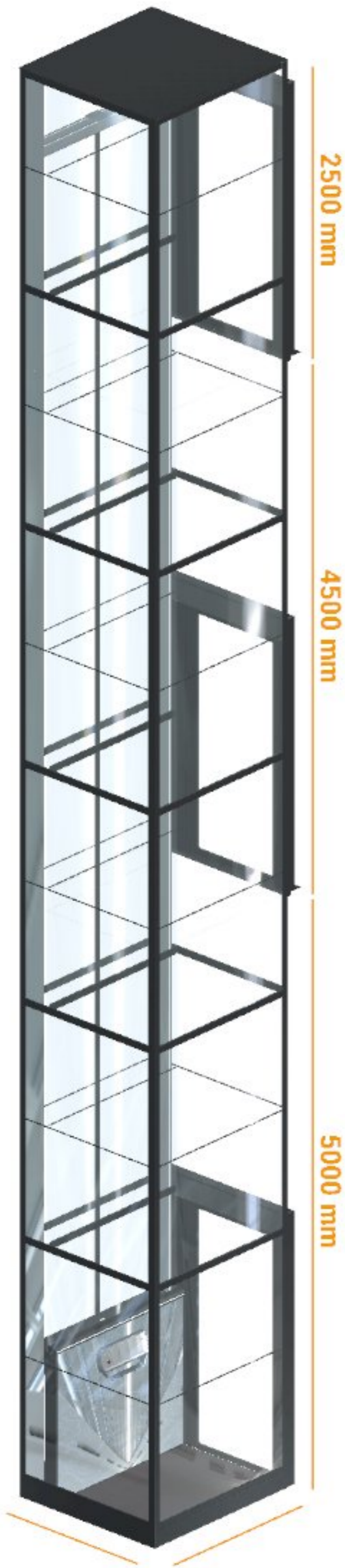
P6



MAIN SPECIFICATIONS

#CIB111A108

P7



HEIGHTS

TOTAL GUIDERAIL LENGTH
12000mm

TOTAL RISE HEIGHT
9500mm

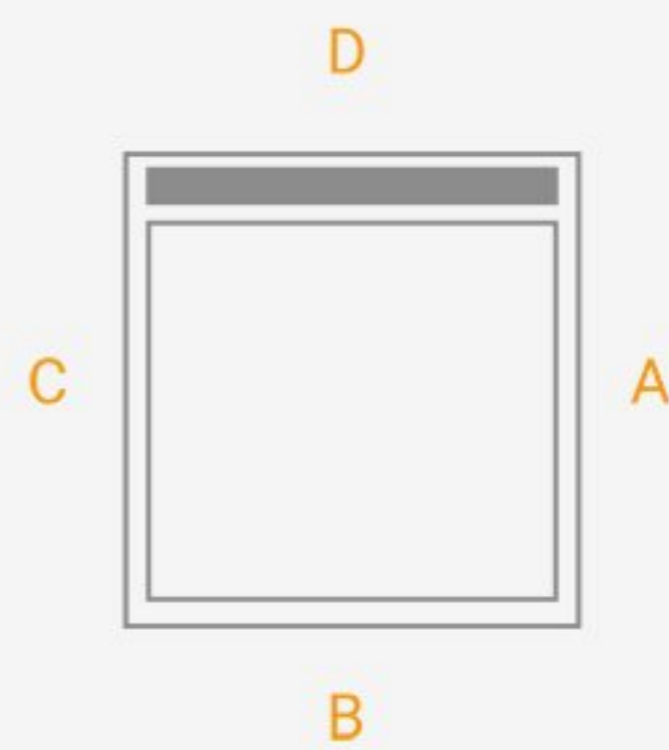
HEIGHT ABOVE TOP LANDING
2500mm

TRAVEL 1
5000mm

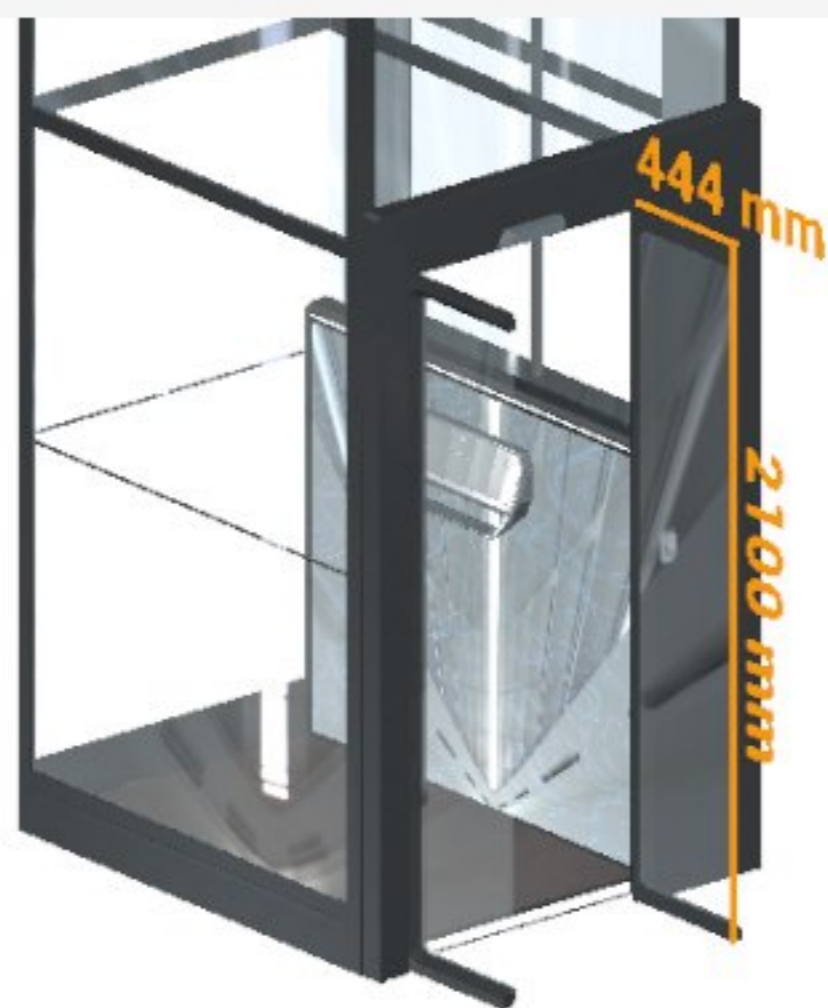
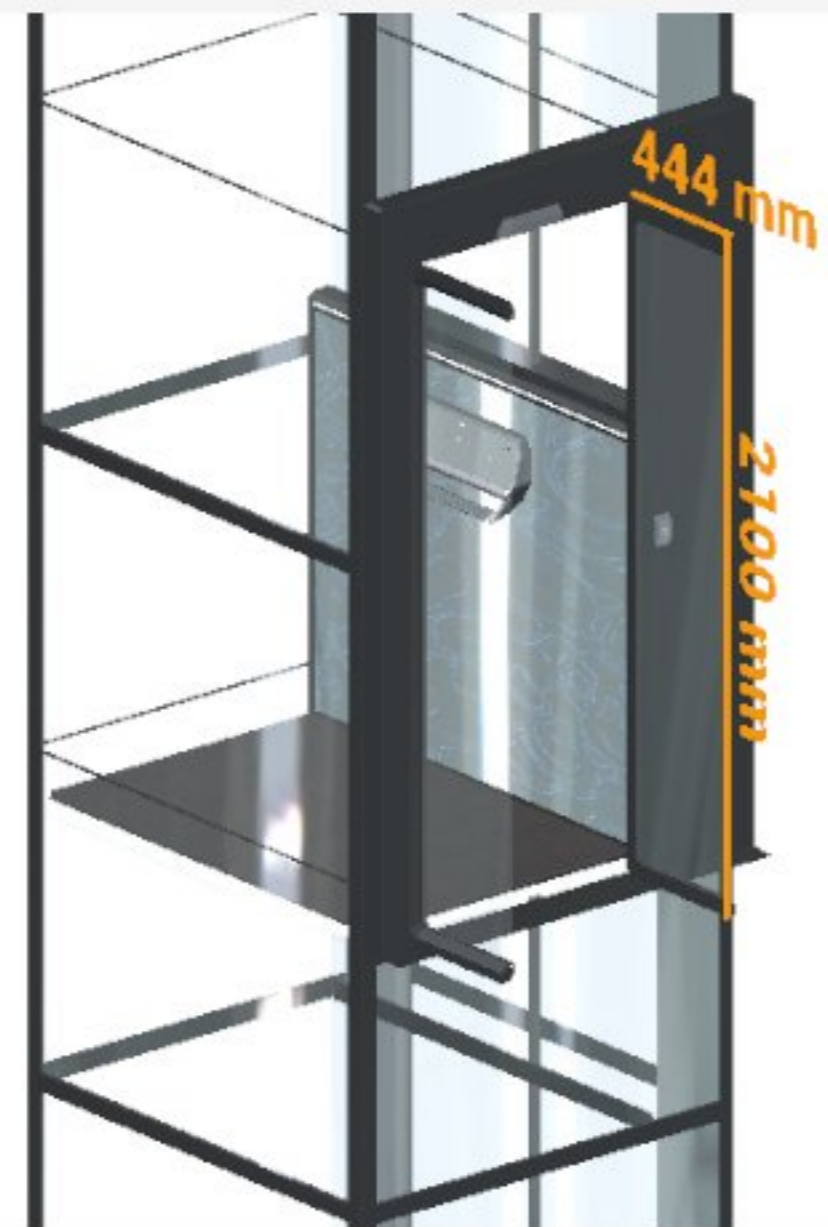
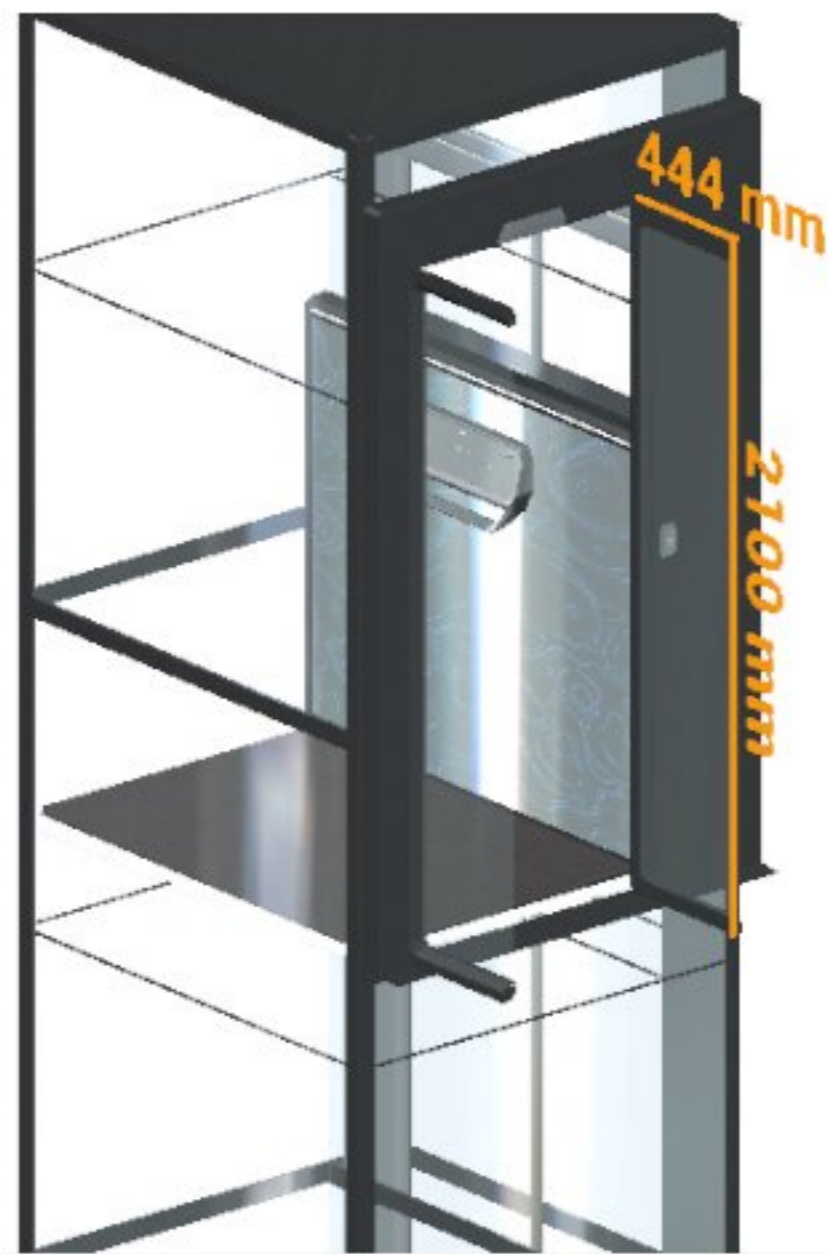
TRAVEL 2
4500mm

TRAVEL 3
2500mm

DIMENSION

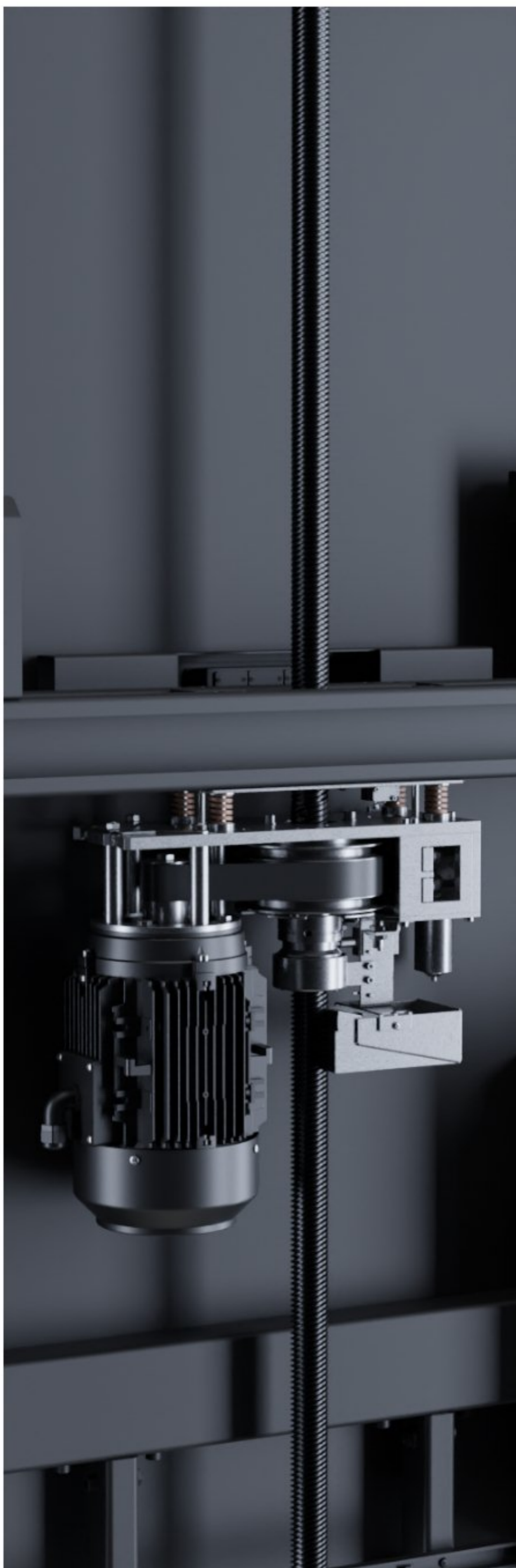


DIMENSION	A/C	B/D
CAR SIZE	1035mm	1450mm
SHAFT SIZE	1400mm	1500mm
CUT OUT SIZE	1440mm	1570mm



Remark: the size represents Space consumption when the door is open.

#CIB111A108



PRODUCT CERTIFICATIONS

This product is design to meet the relevent requirements of:

- GB/T 21739
- 21739 -2008
- SIL-3
- EN81-41

SCREW DRIVE SPECS

SCREW THREADING ANGLE	36 mm
POWER OF MOTOR	3 KW
OPERATING SYSTEM	ICON (PROPRIETARY)
ECOSILENT PERFORMANCE MODULE	YES
SPEED	0.15-0.25 m/s
AUTOMATIC LUBRICATION SYSTEM	YES

LIFT CONTROLS

CABIN	AUTOMATIC ONE-TOUCH
OUTER CONTROLS	AUTOMATIC ONE-TOUCH

STANDARD SAFETY EQUIPMENT

- EMERGENCY BATTERY LOWERING SYSTEM
- EMERGENCY BRAKE
- EMERGENCY STOP BUTTON
- 4G/WIFI CONNECTION ROUTER
- HANDRAIL
- EN 81-70 EMERGENCY DIALER
- MANUAL OPENING SAFETY SYSTEM
- BATTERY GUARD
- CENTRAL LOCKING SYSTEM
- OVERSPEED GOVERNOR SYSTEM
- LIMIT SWITCH
- FIRE DRIVE COMPATIBLE

CIBES

Cibes Lift Group is one of the world's largest manufacturers of low-speed lifts, with sales and distribution in more than 70 countries, and a network of 200+ certified distributors. Global Headquarters in Gävle, Sweden.



ASIA REGIONAL HQ

Asia Regional Headquarters is located in Jiaxing, Zhejiang Province, China, and serves as a strategic R&D, Production and Customer Support Center for our direct sales operation throughout China.